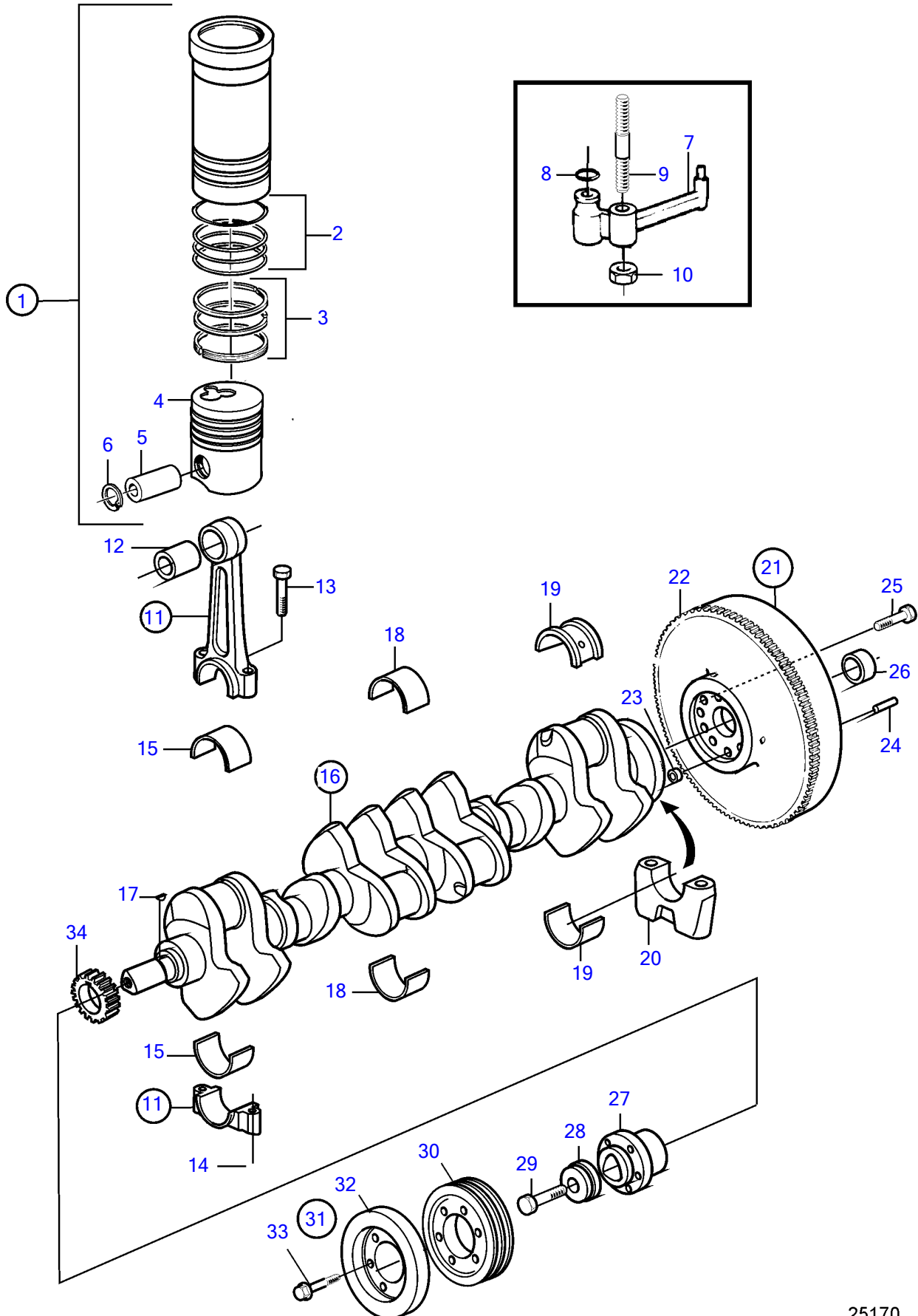


KAMD43P-A



## KAMD43P-A

REF	PART NO.	QTY	DESCRIPTION	SEE SEC.	NOTES
1	3817034	6	Cylinder liner kit	3434	(3581714)
2	275751	6	• Sealing ring kit		
3	3817033	6	• Piston ring kit		(876528)
4		6	• Piston		
5	422793	6	• Piston pin		
6	914519	12	• Snap ring		
7	1542320	6	• Oil jet		
8	955981	6	• O-ring		
9	1542380	6	Stud		
10	946035	6	Lock nut		
11	3581063	6	Connecting rod		LP48
12	3581021	1	• Bushing		
13	1542077	2	• Connecting rod bolt		
14	1542078	2	• Nut		
15	876511	6	Big-end bearing kit		Std
	876512	6	Big-end bearing kit		U.S=0,25mm
	876513	6	Big-end bearing kit		U.S=0,50mm
	876514	6	Big-end bearing kit		U.S=0,75mm
16	3582850	1	Crankshaft		(860379)
17	910118	1	• Woodruff key		
18	876515	6	Main bearing kit		Std
	876516	6	Main bearing kit		U.S=0,25mm
	876517	6	Main bearing kit		U.S=0,50mm
	876518	6	Main bearing kit		U.S=0,75mm
19	876519	1	Thrust bearing		Std
	876520	1	Thrust bearing		O.S=0,10mm/U.S=0,25mm
	876521	1	Thrust bearing		O.S=0,20mm/U.S=0,50mm
	876522	1	Thrust bearing		O.S=0,20mm/U.S=0,75mm
20		7	Main bearing cap		
21	3582705	1	Flywheel		Replace earlier flywheel.
22	829462	1	• Ring gear		
23	415311	1	• Guide sleeve		
24	191873	3	• Locating pin		
25	861671	1	Repair kit		The kit includes 8 pcs screw., Shall not be used together with bolt plate 1542093.
27	1542196	1	Hub		
28	420124	1	Washer		
29	470366	1	Flange screw		(1542149)
30	859614	1	Pulley		SN-2204303258, For V-belt
	861540	1	Pulley		SN2204303259-, For multi-V-belt.
31	877409	1	Vibration damper		(860944)
32	3583677	1	• Vibration damper		
33	983745	6	• Flange screw		
34		1	Gear	3403	

7738870-21-3404B

25170

Upd:2012-02-13